

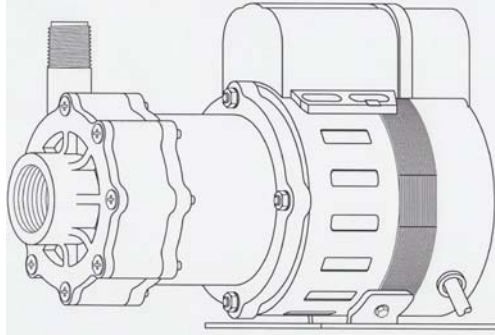


MARCH PUMPS

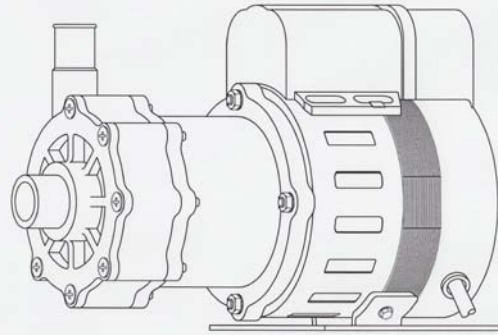
1819 PICKWICK AVE., GLENVIEW, IL 60026-1306, U.S.A
 PHONE: (847) 729-5300 - FAX: (847) 729-7062
 WWW.MARCHPUMP.COM

AC-5C-MD AC-5A-MD

AC-5C-MD



AC-5A-MD



PUMP CONSTRUCTION & SERVICING:

March "Orbital" Magnetic Drive Pumps eliminate the conventional shaft seals found in most pumps. Hence, there is no rotating seal to wear and allow the liquid being pumped to leak out. The pumping action may eventually fail, however the liquid can never leak out. The Model AC-5-MD has an open air fan cooled, moisture protected motor, allowing the pumps to be run continuously. All pumps can be serviced with the use of a screwdriver. The only moving part other than the motor, is the Impeller Assembly, which rotates on a stationary shaft and up against a thrust washer. These are the only parts that can wear, and may need to be replaced. See the Repair Parts List for replacement parts.

OPERATION:

Pumps are not self priming and will not produce a suction lift and must be installed with a positive flooded suction. We rely on the liquid being pumped to lubricate the impeller assembly spinning on the stationary shaft. The pump is not to run dry as the plastic may "freeze" onto the shaft. Teflon, and Carbon bushings are available if needed for dry run protection. A trimmed impeller may be necessary when pumping a liquid with a specific gravity or viscosity greater than water as well in cases of high liquid temperature.

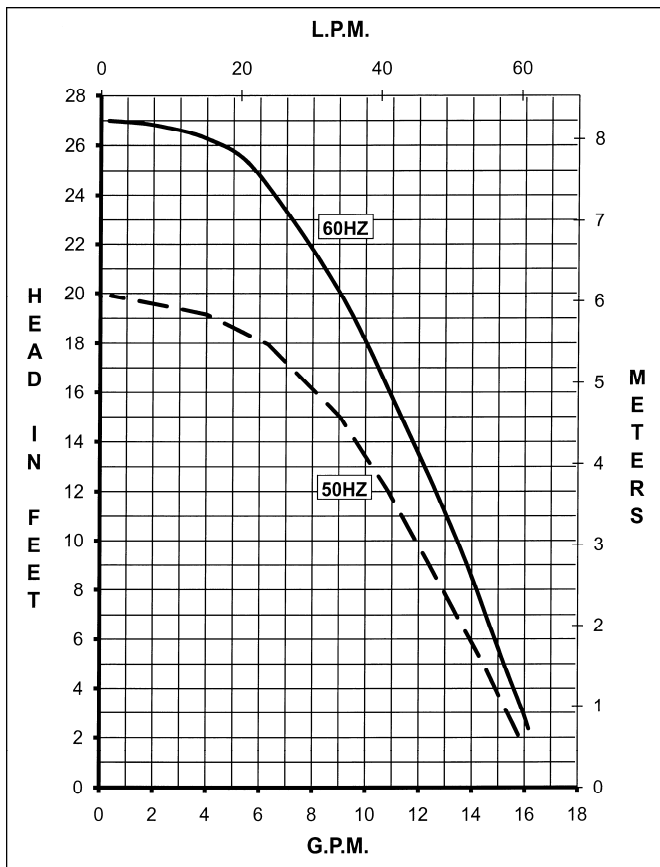
ELECTRICAL:

Models are 115 Volt or 230 Volt, 50/60Hz, 1 phase, A.C. The motors are thermal overload protected, and the motor and overload combinations are U.L. and C.S.A. listed. All cord sets are U.L. approved 18/3 wire, SJO or SJT cords.

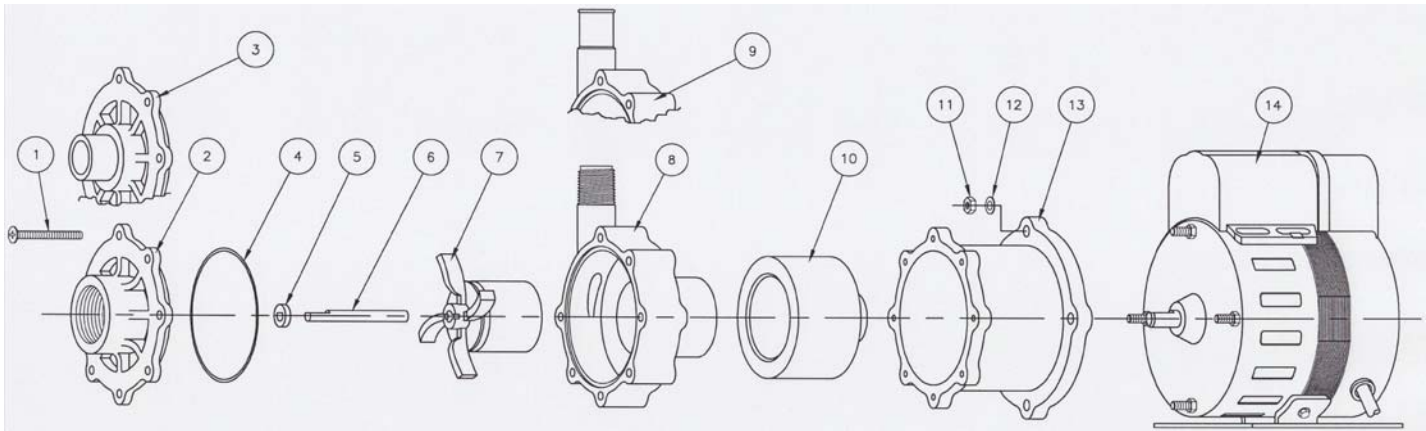
MODEL ABBREVIATIONS:

AC = Air Cooled Motor

C = Threaded Inlet/Outlet, A = Smooth Inlet/Outlet, MD = Magnetic Drive



SPECIFICATIONS		AC-5C-MD		AC-5A-MD	
Max Flow	50Hz	lpm	60	60	60
	60Hz	gpm	17	17	17
Max Head	50Hz	m	6	6	6
	60Hz	ft (psi)	27 (11.7)	27 (11.7)	27 (11.7)
Inlet			1" FPT	1" OD	
Outlet			1/2" MPT	3/4" OD	
Max Internal Pressure		psi	50	50	
		bar	3.4	3.4	
Max Liquid Temperature			°F	190	190
			°C	87	87
Packed Weight		kg/lbs	4.3/9.5	4.3/9.5	4.3/9.5
Motor Type			Air Cooled	Air Cooled	
			115 or 230	115 or 230	
Phase			1	1	
50Hz	Volts		115	230	115 230
	Watts		214	223	214 223
	Amps		2.1	1	2.1 1
	Kw		0.093	0.093	0.093 0.093
	Rpm		2850	2850	2850 2850
60Hz	Volts		115	230	115 230
	Watts		234	250	234 250
	Amps		2.1	1	2.1 1
	Hp		1/8	1/8	1/8 1/8
	Rpm		3450	3450	3450 3450
Electrical Connection			Cord	Cord	
Overall Pump Dimensions (Inches)	Height		6.19	6.19	
	Width		4.52	4.52	
	Length		9.27	9.83	
Overall Pump Dimensions (cm)	Height		15.7	15.7	
	Width		11.4	11.4	
	Length		23.5	24.9	



NOTE:

When attaching the Drive Magnet Assembly (item 10) to the motor shaft, position the face of the Drive Magnet Assembly 3/32 inch below the face of the Motor Bracket (item 13).

REPAIR PARTS LIST

ITEM	DESCRIPTION	MATERIAL	QTY	PART #	AC-5C-MD	AC-5A-MD
1	Screw	Stainless Steel	7	0150-0021-1000	S	S
2	Cover (1" FPT Inlet)	Polypropylene	1	0150-0032-1000	S	O
3	Cover (1" OD Inlet)	Polypropylene	1	0150-0150-1000	O	S
4A	"O" Ring	Buna-N	1	0135-0007-1000	S	S
4B	"O" Ring	Viton	1	0135-0023-1000	O	O
4C	"O" Ring	Viton/Teflon	1	0150-0171-1000	O	O
5	Thrust Washer	Ceramic	1	0130-0028-1000	S	S
6	Shaft	Ceramic	1	0130-0024-1000	S	S
7A	Impeller Assembly	Polypropylene/Ceramic Mag.	1	0150-0030-0100	S	S
7B	Impeller Assembly w/Carbon Bushing	Polypro/Ceramic Magnet/Carbon	1	0150-0030-0700	O	O
7C	Impeller Assembly w/Mica Teflon Bushing	Polypro/Ceramic Magnet/Teflon	1	0150-0030-0800	O	O
8	Rear Housing w/Thrust Washer (1/2" MPT Outlet)	Polypropylene/Ceramic	1	0150-0031-0100	S	O
9	Rear Housing w/Thrust Washer (3/4" OD Outlet)	Polypropylene/Ceramic	1	0150-0159-0100	O	S
10	Drive Magnet Assembly		1	0150-0081-0100	S	S
11	Nut (Hex)	Stainless Steel	4	0625-0024-1000	S	S
12	Lock Washer (Int. Tooth)	Stainless Steel	4	0802-0006-1000	S	S
13	Motor Connecting Bracket		1	0150-0070-0100	S	S
14	Motor - 115 Volt – 50/60 Hz		1	0150-0027-1000	S	S
	Motor - 230 Volt – 50/60 Hz			0150-0040-1000	S	S

NOTE: Contact Factory for other materials and/or parts not listed.

Legend: S = Standard, O = Optional

MATERIALS IN CONTACT WITH SOLUTION:

Polypropylene, Ceramic, Buna-N, and Ceramic Magnet.

NOTES:

All specifications & data are based on pumping water and are intended for use as a guideline only. Ratings may vary depending on the current motor being used.

LIMITED WARRANTY:

March pumps are guaranteed only against defects in workmanship or materials for a period of one year from date of manufacture pumping water. On all other solutions, contact the factory for application assistance. March Pump Application Worksheet 0750-0130-1000 is available for additional warranty information.