

HyperLink Wireless brand HyperAmp® 2.4 GHz 802.11g (b/g) Compatible 1 Watt Indoor Bi-Directional Amplifier with Active Power Control

Features

- IEEE 802.11g (b/g) compatible
- Cast aluminum construction
- N-Female connectors
- Durable UV-Stable finish
- Transmit and Receive LEDs
- 12VDC power supply included
- 1 Year limited warranty



Model: HA2401GXI-1000

Description

HyperAmp® HA2401GXI-1000 amplifiers are compatible with 802.11g (b/g) wireless LAN equipment. Hyperlink's Active Power Control circuit automatically adjusts the amplifier's gain to provide a constant output power regardless of cable length.

The HyperAmp® HA2401GXI-1000 series improves range by delivering full transmit power directly at the antenna where it is most effective. In addition the unit's receive gain compensates for cable losses. The unit can be configured to deliver the full transmit power with as little as 1 mW of input power, permitting cable runs of several hundred feet with no degradation in operating range.

Designed to be installed indoors or in weather-resistant enclosures such as HyperLink's NEMA enclosures, this amplifier features a rugged cast aluminum housings with integral mounting tabs. The staggered mounting feet allow multiple amplifiers to be positioned next to each other with minimal wasted space.

The power supply included with the amplifier is rated at 100-240 VAC @ 50/60 Hz allowing it to be used in the US as well as in the EU when used with the optional PSX-EU2 Plug converter (US NEMA 6-15R Flat Blades to EU 4/4.8 mm round pins).

Note:

This Hyperlink bi-directional amplifier is designed for burst half-duplex operation. It is not intended for constant transmit or CW operation. Operation of the amplifier in CW mode will damage the amplifier and void the warranty.

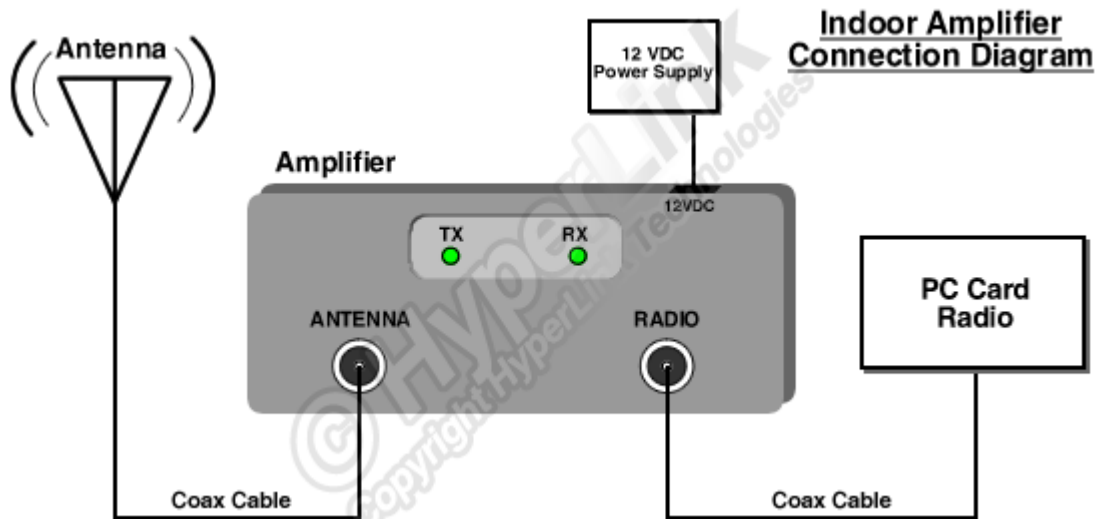
Product Availability

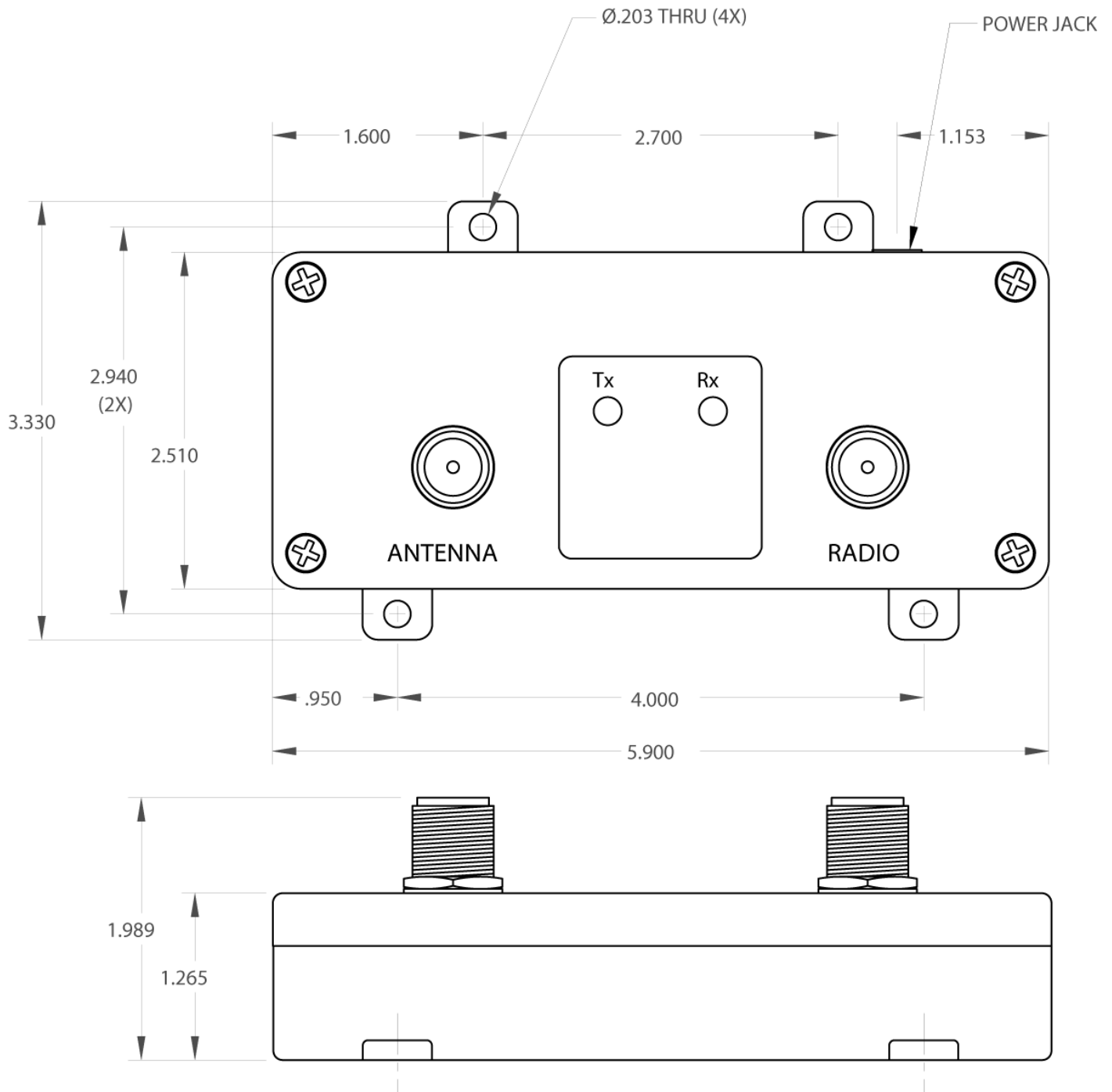
Amplifier products are available for export, military, licensed amateur radio (ham radio) and OEM component sales only and as part of complete FCC Certified Systems. Individual amplifier products are not offered for sale in the USA.

Specifications

Transmit Power	1 Watt (30 dBm)
Receive Gain	17 dB nom
Frequency	2400 - 2500 MHz
Max. Input Power	100 mW (20 dBm)
Operating Mode	Bi-directional, half-duplex Time Division Duplex. Senses RF carrier from transmitter and automatically switches from receive to transmit mode
Operating Temperature	-40C to 50C (-40F to 122F)
Dimensions	5.9 x 2.5 x 1.3 (inches) 150 x 64 x 33 (mm)
Weight	.95 lbs. (.44 Kg)
Current Draw	1.25A Peak Tx and 0.14A Peak Rx
Supply Voltage	12VDC -0.5V / +1V

Connection Diagram





All dimensions in inches

Guaranteed Quality

HyperAmp® is designed and manufactured by HyperLink Technologies in the U.S.A. and is backed by Hyperlink's Limited Warranty.